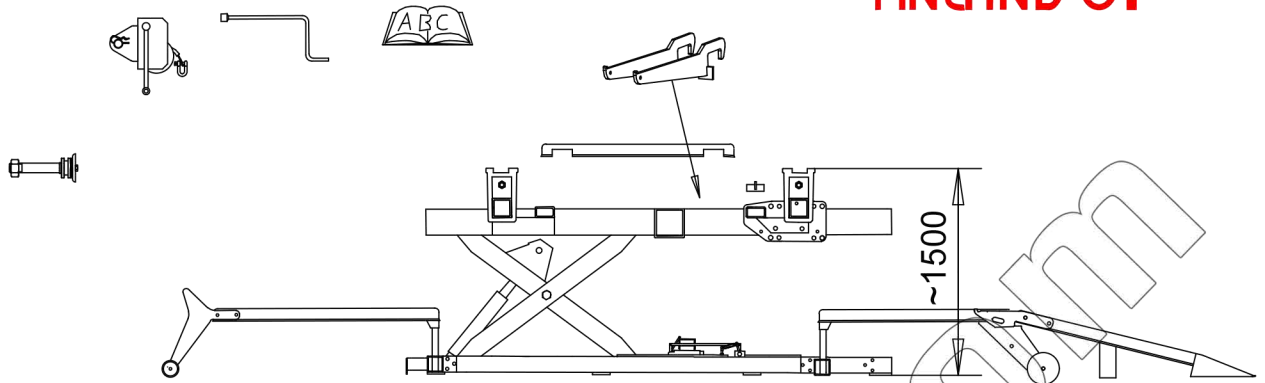


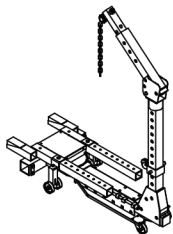
# B10 C (XLS++) set

(15807)

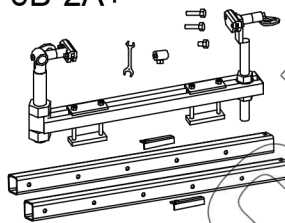
B10 DL-



514F



676B-2A+



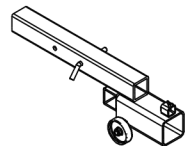
4x 662A



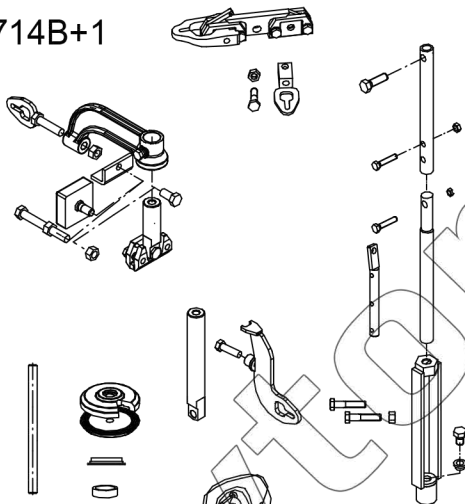
714A-6



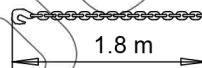
B20-6-1



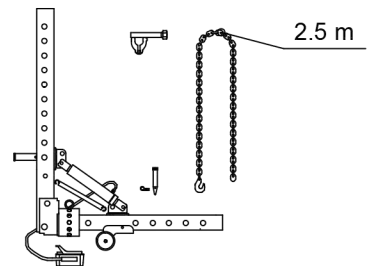
714B+1



672



B20-6



SPARE PARTS LIST		2012-06-08
Code	Description	Pcs
158071	B10 DL- set	1
1700694	514F Straightening unit	1
1805263	676B-2A+ Two point support/straightening set	1
1805201	662A Adjustable brace	4
2071065	714A-6 Gripper	1
215612	B20-6-1 Tower Adapter	1
170128	714B+1 Satellite Straightening set	1
170027	672 Chain 1,8 m	1
215713	B20-6 Additional straightening tower, 11t hydraulics	1